



WHEEL KIT ASSEMBLY

H08-4, H10-4, and H13-4

NOTE: Do not tighten bolts until Step 7.

1. Attach the two braces to inside of each lug on the axle using two 7/16" x 1-1/4" bolts, washers, and locknuts (see Figure 1).
2. Mount adjustment braces on top of axle with two 7/16" x 1-1/4" bolts, washers, and locknuts. Use inner set of holes on axles for 8" tube, middle set for 10" tube, and outer set for 13" tube. Use the set of holes in adjustment braces best suited for desired tube angle.
3. Mount tube halfband bracket to adjustment braces as shown (see Figure 1) with two 7/16" x 1-1/4" bolts, washers, and locknuts.
4. Mount second tube halfband bracket to braces with two 7/16" x 1-1/4" bolts, washers, and locknuts.
5. Remove dirt and paint from axle stubs then slip wheels onto axle stubs and secure with cotter pins.
6. Now place the hopper tube in the halfband brackets and secure with two halfbands and four 7/16" x 1-1/4" bolts, washers, and locknuts (see Figure 2).
7. Adjust braces and tube halfbands as needed to achieve desired weight balance and tube height. Maintain enough weight at intake to prevent upending. Tighten all bolts at this stage.

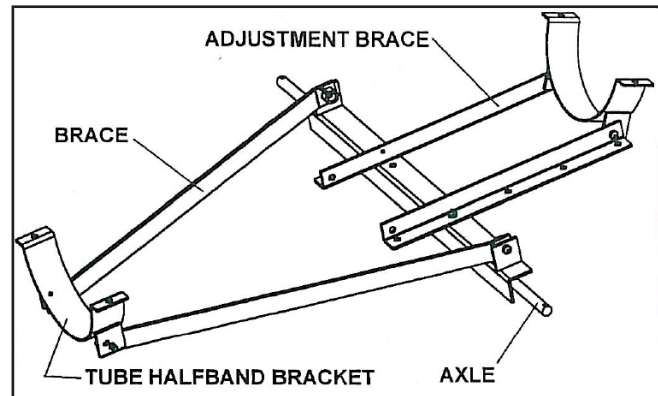


Figure 1

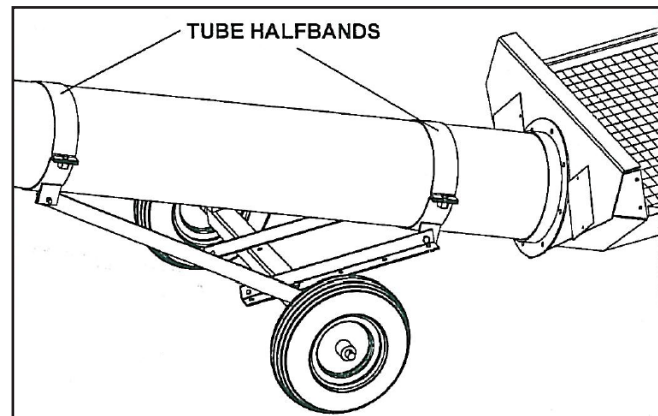


Figure 2

