



# LP HOPPER TRANSPORT KIT (A229)

## For MK100-36 Augers ASSEMBLY INSTRUCTIONS

Read and understand these instructions before attempting assembly.

### BOLT-ON HOPPER LIFT ARM ASSEMBLY

1. Place clamp-on liftarm mount onto upper tube, as shown in Figure 1. The top of the two liftarm mounts (upper and lower) should measure approximately 27" from each other.
2. Attach the two clamp-on half-bands using two 7/16" x 1-1/4" bolts and locknuts (see Figure 1). When satisfied with placement, tighten bolts securely.
3. Install hopper liftarm as you would normally, complete with MK100-36 hopper lock (see Figure 2).

**NOTE:** Intake feed side of hopper must face away from main auger when in transport.

4. To place hopper into transport, attach cable hook to the handle on the side of the hopper, then fully raise hopper with intake side facing away from the main auger as shown. Secure hopper lift arm with the hopper lock and the saddle pins and hairpins provided (see Figure 2).

**NOTE:** To change side of intake feed hopper operation raise auger hitch with jack and disconnect tractor. Swing intake feed hopper to opposite side of auger. Reverse the position of the hopper lift arm assembly and move the winch to the other side of the boot (opposite intake feed hopper, see Figure 2). Reconnect to tractor.

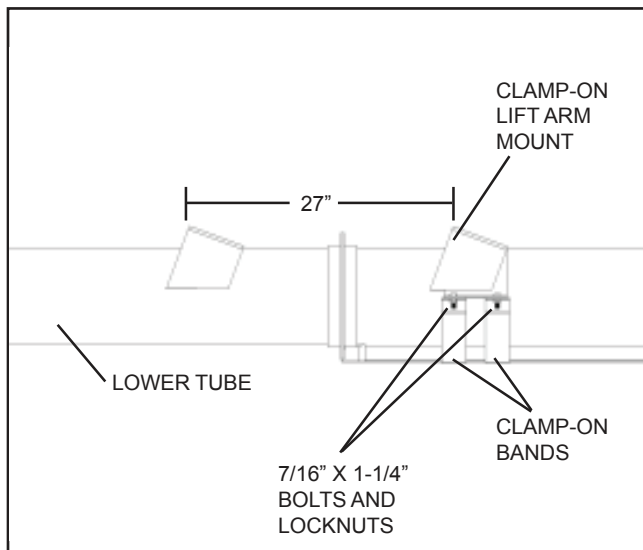


Figure 1

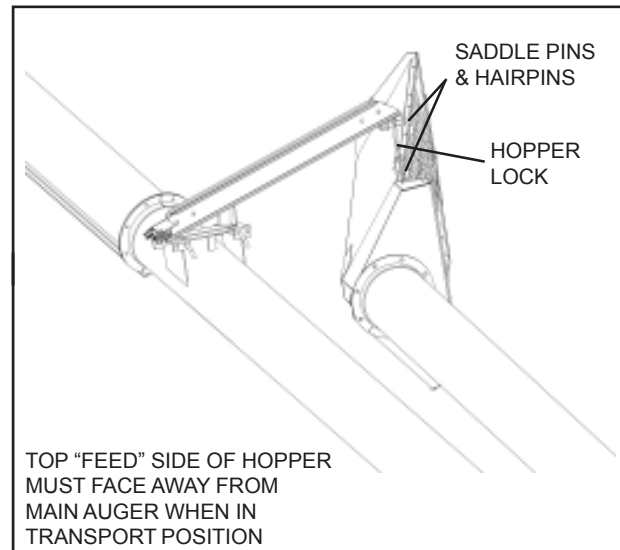


Figure 2



P.O. Box 39, Rosenort, Manitoba, R0G 1W0 Canada  
Phone: (866) 467-7207 (Canada & USA) or (204) 746-2396 Fax: (866) 768-4852  
Website: [www.grainaugers.com](http://www.grainaugers.com) Email: [sales@grainaugers.com](mailto:sales@grainaugers.com)  
©Ag Growth International Inc. 2018

Part Number: 30850 R1  
Revised: Oct 2018