



## HYDRAULIC WINCH KIT [A296/A266] MKX100, MKX130, X100, X130, HX130 SERIES AUGER MODELS INSTALLATION INSTRUCTIONS



*Read and understand the safety information in the auger manual before proceeding.*



*Read and understand the instructions in this manual before attempting to install this product.*



*Refer to the auger manual for operation instructions.*

### PRE-INSTALLATION INSTRUCTIONS

- Familiarize yourself with all the required hardware. Kit A296 is for MKX100 and X100 augers. Kit A266 is for MKX130, X130, and HX130 augers.
- Arrange all parts for easy access.

### HYDRAULIC WINCH INSTALLATION

1. Unwind the cable from the manual winch spool and disconnect the cable from the spool by loosening or removing the cable clamp and pulling the cable free of the spool.
2. Disconnect the manual winch from the auger boot.
3. Install the hydraulic winch (see Figure 1 or Figure 2).
4. For 100 series: Install the pulley guide onto the lift arm (see Figure 1).

**Note:** *The pulley guide for the 130 series is factory pre-assembled onto the lift arm.*

5. Ensure that the winch cable feeds through the two lift arm pulleys (at the top of the lift arm and at the pulley guide), then feed the winch cable under the spool and connect it to the spool (minimum 3 wraps around the spool, feed cable through hole in side of spool, and secure with clamp and clamp hardware) as shown in Figure 3.

#### Westfield | Wheatheart

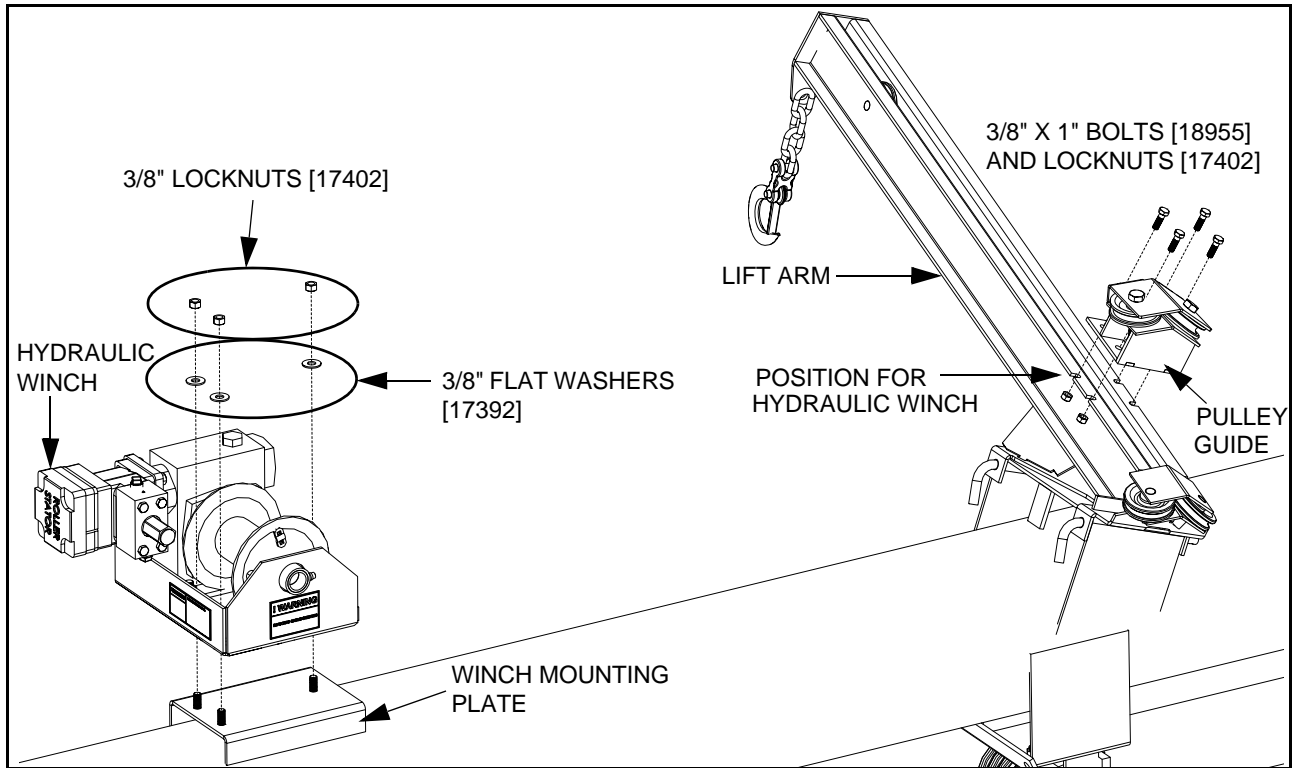
part of the Ag Growth International group  
P.O. Box 39, Rosenort, Manitoba, R0G 1W0 Canada  
Ph: (866) 467-7207 or (204) 746-2396 Fax: (866) 768-4852  
Website: [www.grainaugers.com](http://www.grainaugers.com) | [www.wheatheart.com](http://www.wheatheart.com)  
Email: [sales@grainaugers.com](mailto:sales@grainaugers.com) | [sales@wheatheart.com](mailto:sales@wheatheart.com)

#### Hutchinson | Mayrath

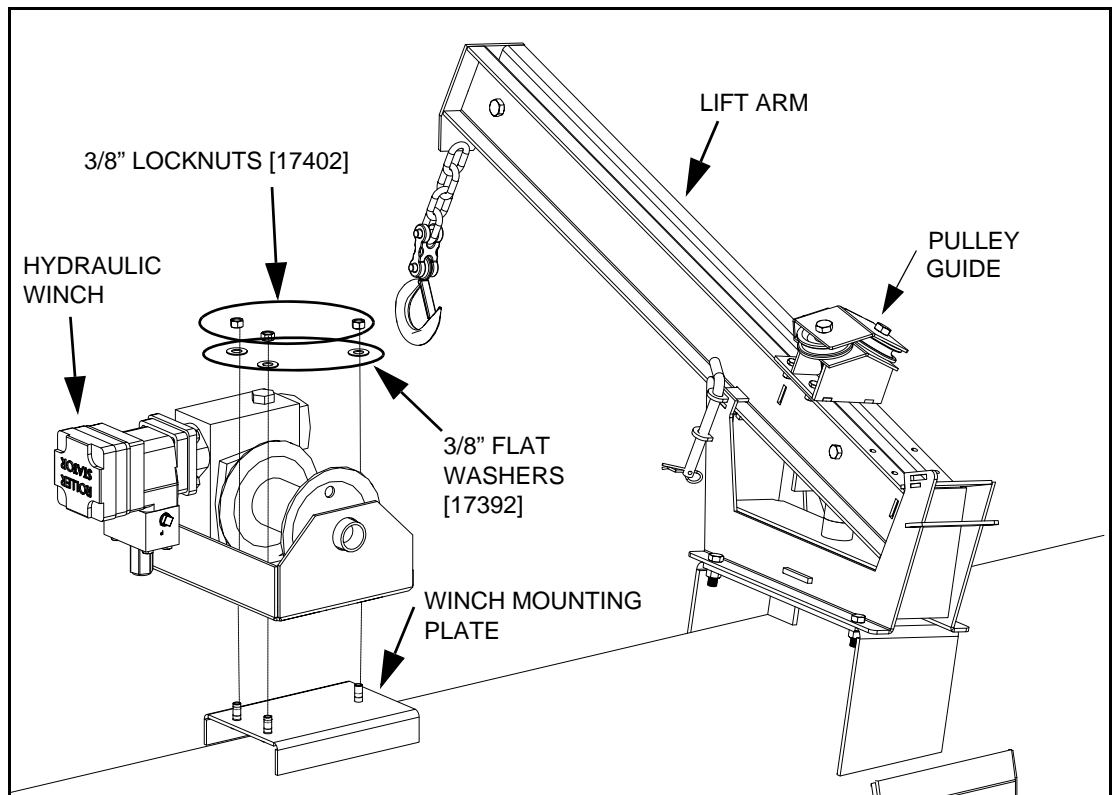
part of the Ag Growth International group  
514 W. Crawford St., Clay Center, Kansas, 67432 USA  
Ph: (800) 523-6993 or (785) 632-2161 Fax: (785) 632-5964  
Website: [www.hutchinson-mayrath.com](http://www.hutchinson-mayrath.com)  
Email: [sales@hutchinson-mayrath.com](mailto:sales@hutchinson-mayrath.com)

© Ag Growth International Inc. 2018

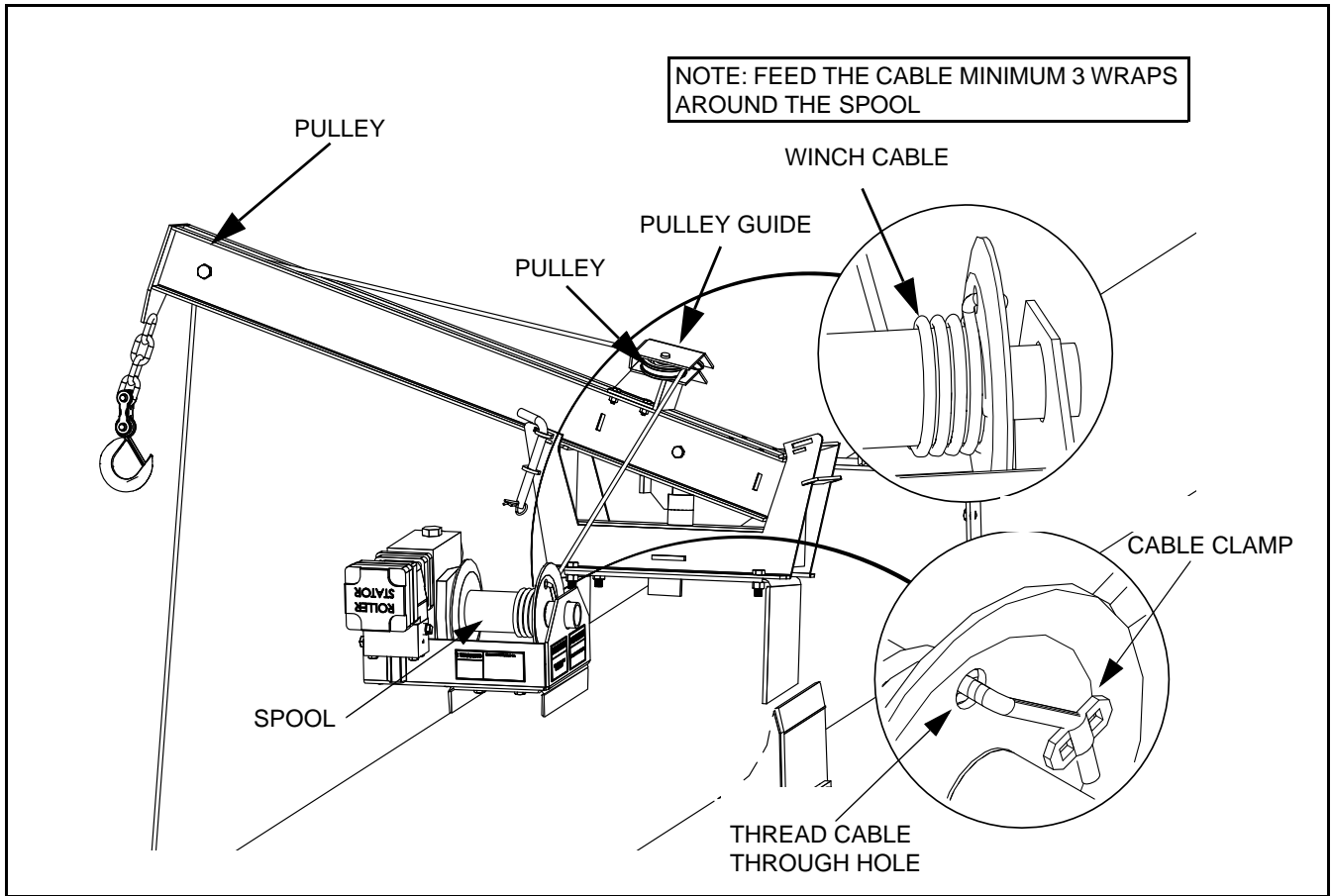
PART NUMBER: 30940 R3  
REVISED: 9/7/18



**Figure 1 Installing the Hydraulic Winch (MKX100, X100)**

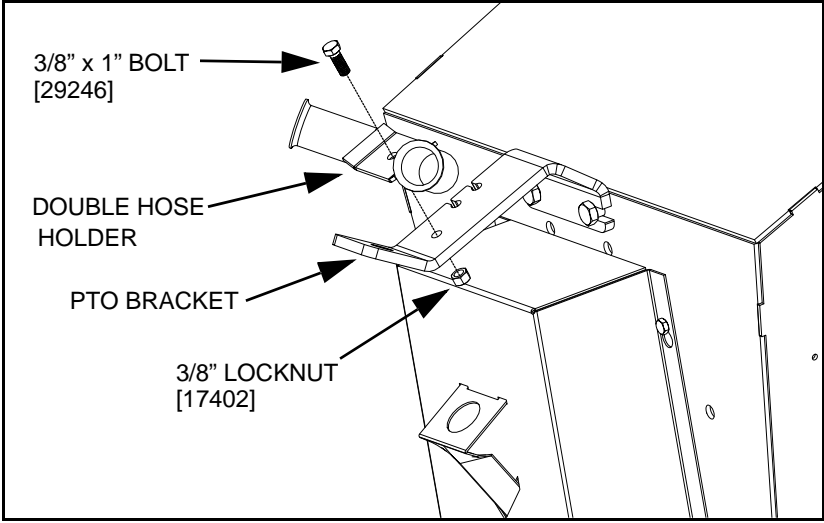


**Figure 2 Installing the Hydraulic Winch (MKX130, X130, HX130)**



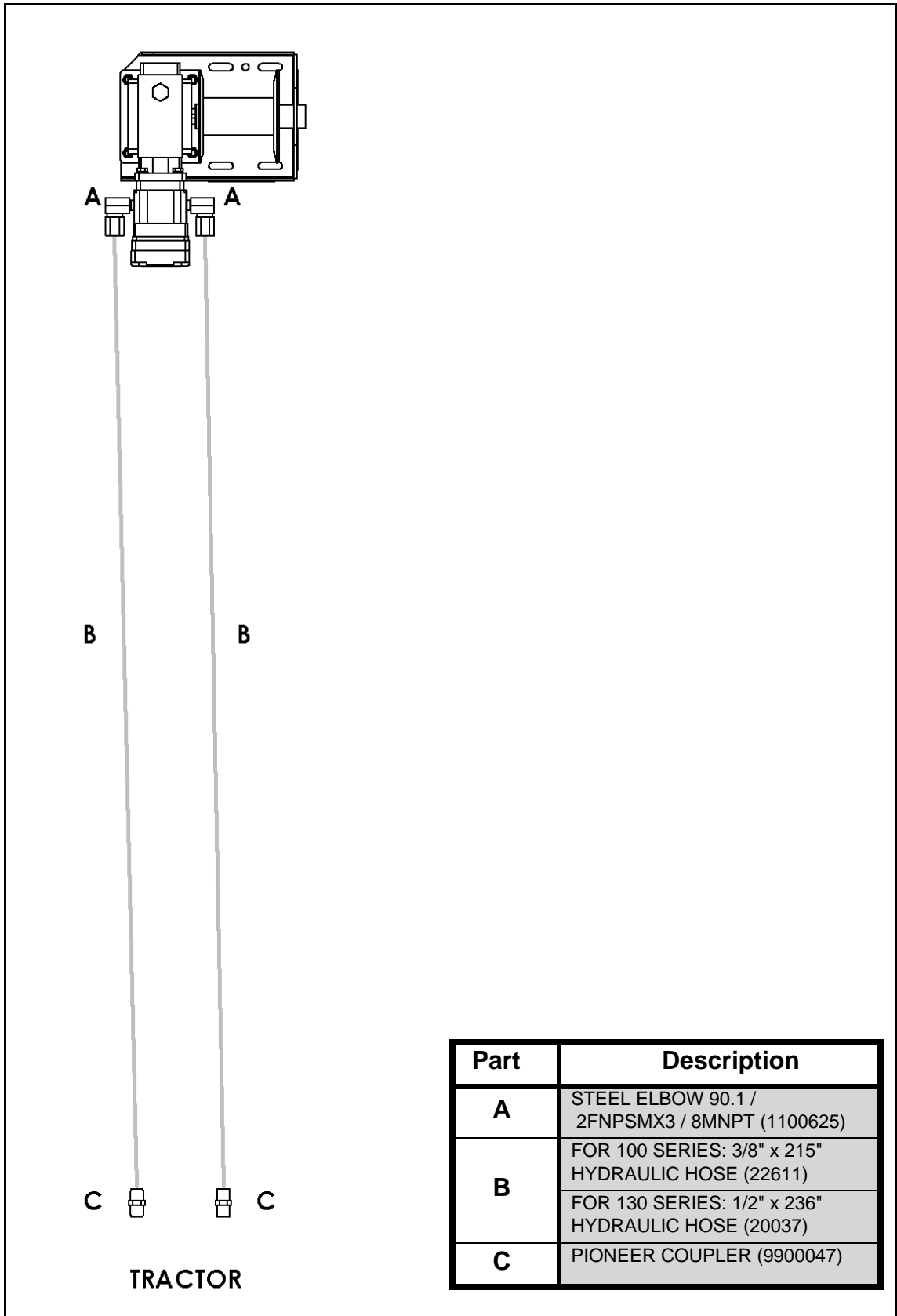
**Figure 3 Installing the Winch Cable (same routing for 100 and 130 series augers)**

6. Attach the double hose holder to the PTO bracket with a 3/8" x 1" bolt and locknut (see Figure 4).



**Figure 4 Attaching Double Hose Holder**

7. Connect hydraulic hose between the tractor and winch (see Figure 5).



**Figure 5 Installing the Hydraulic Hose Between the Winch and Tractor**