



A296/A266 Hydraulic Winch Kit Installation Instructions

Applicable Models:

MKX100, MKX130, X100, X130, HX100, & HX130 Series

Pre-Installation Instructions

- Familiarize yourself with all the required hardware. Kit A296 is for MKX100, X100 and HX100 augers. Kit A266 is for MKX130, X130, and HX130 augers.
- Arrange all parts for easy access.

Hydraulic Winch Installation

1. Unwind the cable from the manual winch spool and disconnect the cable from the spool by loosening or removing the cable clamp and pulling the cable free of the spool.
2. Disconnect the manual winch from the auger boot.
3. Install the hydraulic winch (see [Figure 1 on page 2](#) or [Figure 2 on page 2](#)).
4. For 100 series: Install the pulley guide onto the lift arm (see [Figure 1 on page 2](#)).

Note

The pulley guide for the 130 series is factory pre-assembled onto the lift arm.

5. Ensure that the winch cable feeds through the two lift arm pulleys (at the top of the lift arm and at the pulley guide), then feed the winch cable under the spool and connect it to the spool (minimum 3 wraps around the spool, feed cable through hole in side of spool, and secure with clamp and clamp hardware) as shown in [Figure 3 on page 3](#).

Figure 1. Installing the Hydraulic Winch (MKX100, X100, HX100)

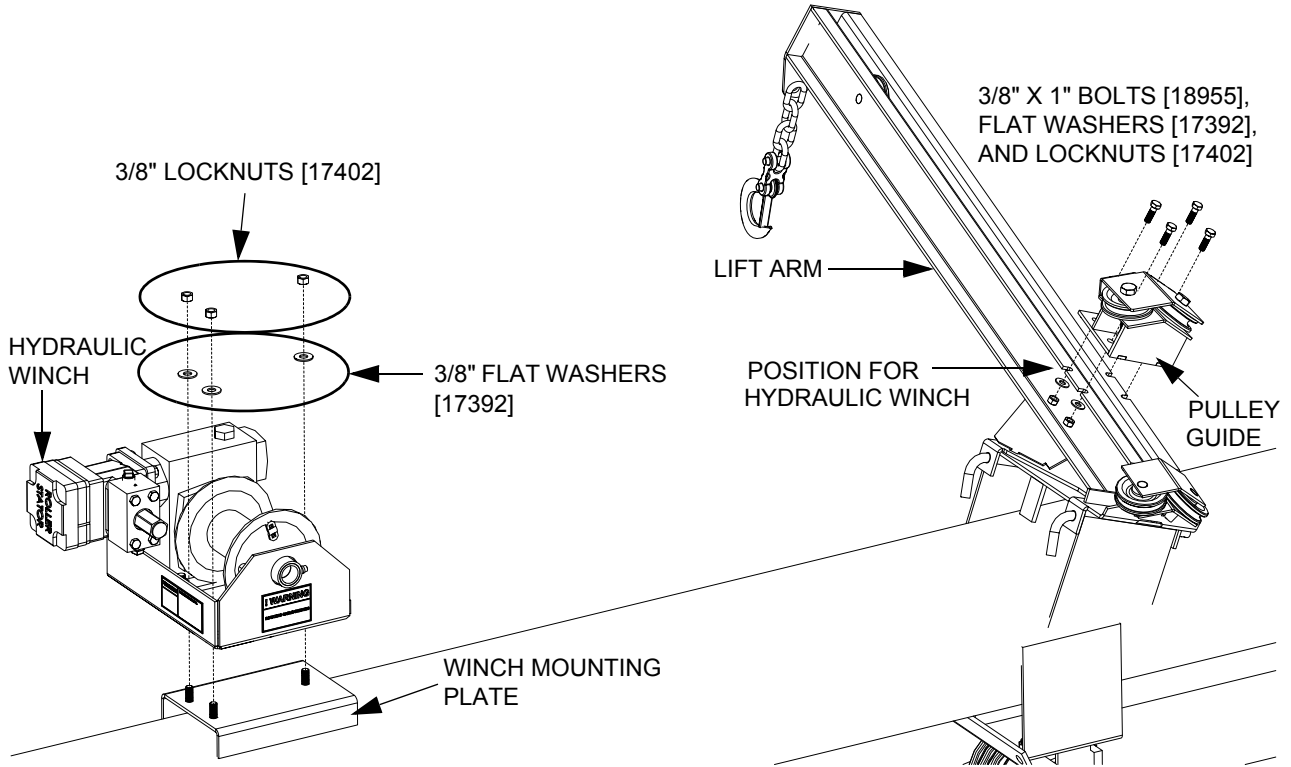


Figure 2. Installing the Hydraulic Winch (MKX130, X130, HX130)

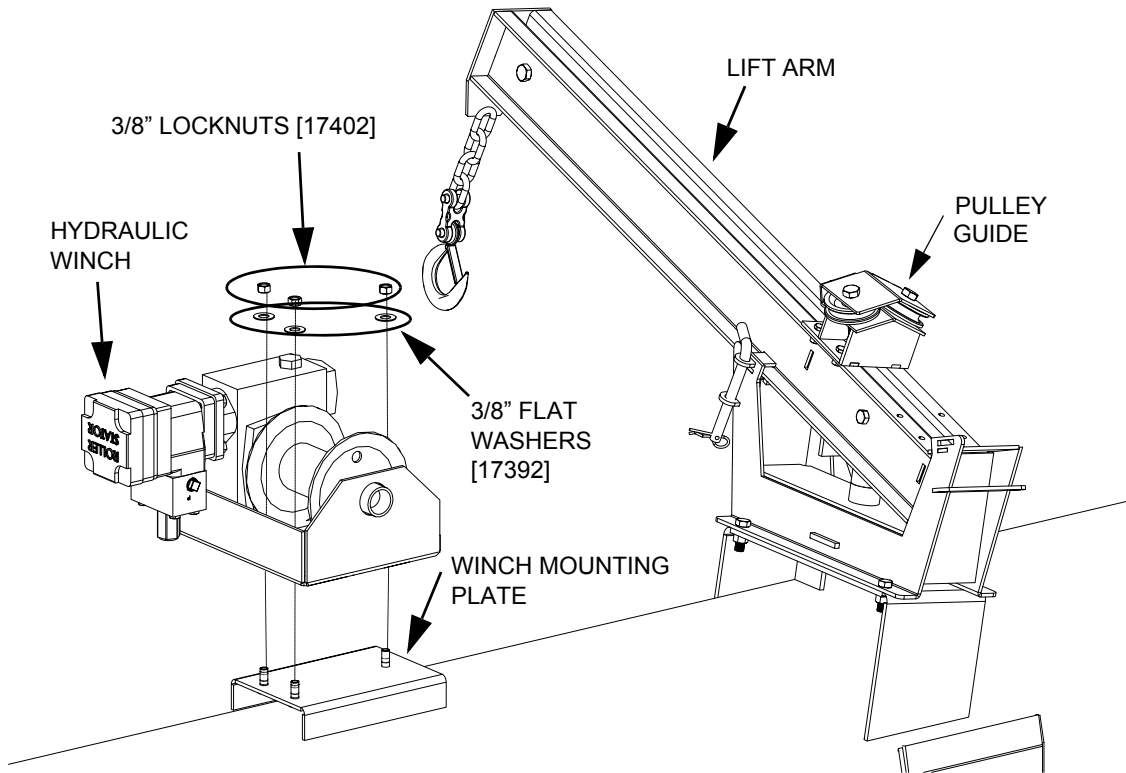
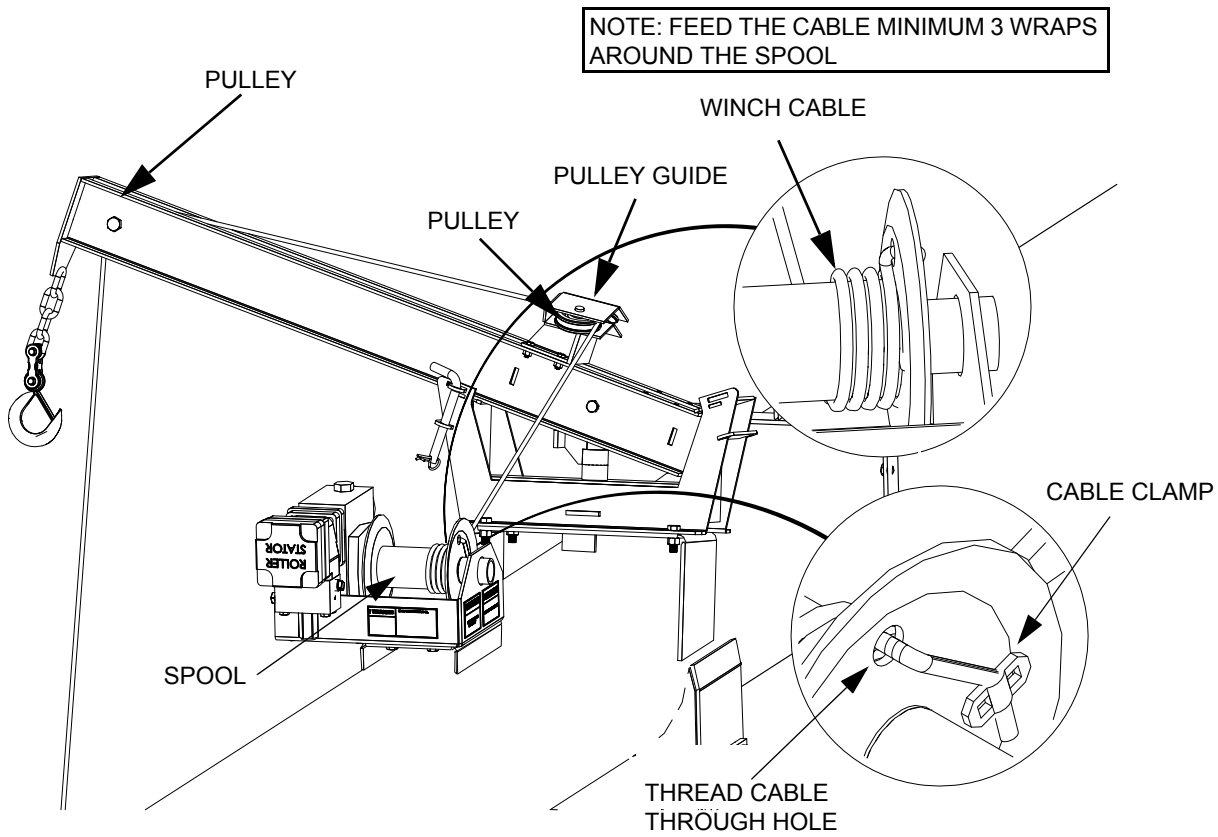
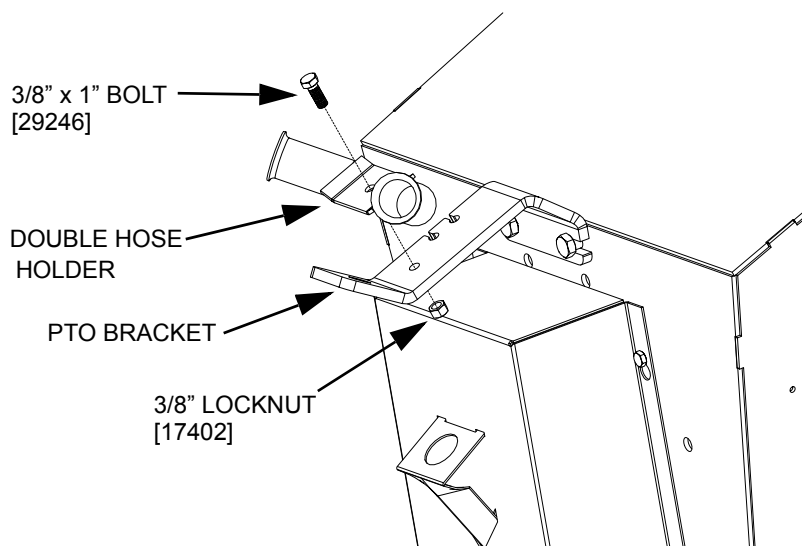


Figure 3. Installing the Winch Cable (same routing for 100 and 130 series augers)



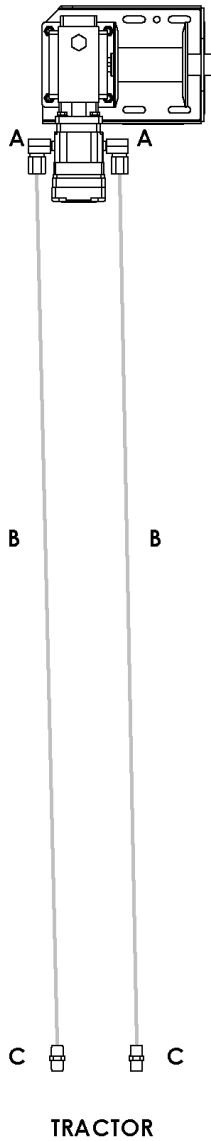
6. Attach the double hose holder to the PTO bracket with a 3/8" x 1" bolt and locknut (see [Figure 4 on page 3](#)).

Figure 4. Attaching Double Hose Holder



7. Connect hydraulic hose between the tractor and winch (see [Figure 5 on page 4](#)).

Figure 5. Installing the Hydraulic Hose Between the Winch and Tractor



Part	Description
A	STEEL ELBOW 90.1 / 2FNPSMX3 / 8MNPT (1100625)
B	FOR 100 SERIES: 3/8" x 215" HYDRAULIC HOSE (22611)
	FOR 130 SERIES: 1/2" x 236" HYDRAULIC HOSE (20037)
C	PIONEER COUPLER (9900047)



Westfield | Wheatheart

P.O. Box 39, Rosenort, Manitoba, R0G 1W0 Canada
 Phone: (866) 467-7207 (Canada & USA) or (204) 746-2396 | Fax: (866) 768-4852
 Website: www.grainaugers.com | www.wheatheart.com
 Email: sales@grainaugers.com | sales@wheatheart.com

Hutchinson | Mayrath

514 W. Crawford St., Clay Center, Kansas, 67432 USA
 Phone: (800) 523-6993 or (785) 632-2161 | Fax: (785) 632-5964
 Website: www.hutchinson-mayrath.com
 Email: sales@hutchinson-mayrath.com

©Ag Growth International Inc. 2019, Printed in Canada