



STX2/STX/XTA/R SERIES AUGER LIGHTING KIT [A317/A318] INSTALLATION INSTRUCTIONS

The lighting kit consists of one flood lamp, two mini-flood lamps, a wiring harness, a fused light switch box, cable ties, cable P-clamps, mounting brackets, and hardware.

1. Install the discharge-area lamp:
 - attach the flood lamp to the track stop with a bolt, washer, and locknut, then plug the wiring harness connector into the flood lamp connector. Ensure that the connectors are fully engaged.
 2. Run the wiring harness down the tube to the location of the engine-area lamp.
 - ➔ • **STX2/XTA Series:** Travel through the opening in the bearing brackets.
 - ➔ • **STX/R Series:** Travel along the driveshaft guards and fasten it to the guard straps with P-clamps using the existing strap screws.
 3. Install the engine-area lamp:
 - ➔ • **31/36/41 models:** attach a lamp bracket to the tube weldment above the engine with a 7/16" x 1" bolt and locknut;
 - ➔ • **46/51 models:** attach a lamp bracket to the tube flange using existing hardware;
 - attach a mini flood lamp to the bracket using a bolt, washer, and locknut, then plug the wiring harness connector into the mini flood lamp connector. Ensure that the connectors are fully engaged.
 4. Install the intake-area lamp:
 - run the wiring harness down the tube to the gearbox, fastening it as previously explained;
 - ➔ • secure the remaining lamp bracket to the gearbox: for **8"** models, use a 3/8" x 1" bolt and lockwasher; for **10"** models, use a 1/2" x 1" bolt and lockwasher;
 - attach the second mini flood lamp to the bracket using a bolt, washer, and locknut, then plug the wiring harness connector into the mini flood lamp connector. Ensure that the connectors are fully engaged.
 5. Run the wiring harness down the lower frame to the engine.
 - ➔ • **STX2/XTA Series:** Secure using P-clamps and Tek screws.
 - ➔ • **STX/R Series:** Secure using cable ties as required.
 6. Connect the wiring-harness eyelet (white wire) to the motor frame (ground).
Connect the butt splice to the motor power (positive).
- Note:** *If no motor power lead is available to connect the butt splice it may be necessary to use the provided tap splice connector to draw power from another power or accessory wire. Ensure all connections are fused appropriately.*
7. Install the switch box to the lower frame arm with two #8 x 3/4" Tek screws.

Westfield | Wheatheart
part of the Ag Growth International group
P.O. Box 39, Rosenort, Manitoba, Canada R0G 1W0 Ph: (866) 467-7207 Fax: (866) 768-4852
Website: www.grainaugers.com | www.wheatheart.com Email: sales@grainaugers.com | sales@wheatheart.com
© Ag Growth International Inc. 2019

Figure 1 STX/R Series

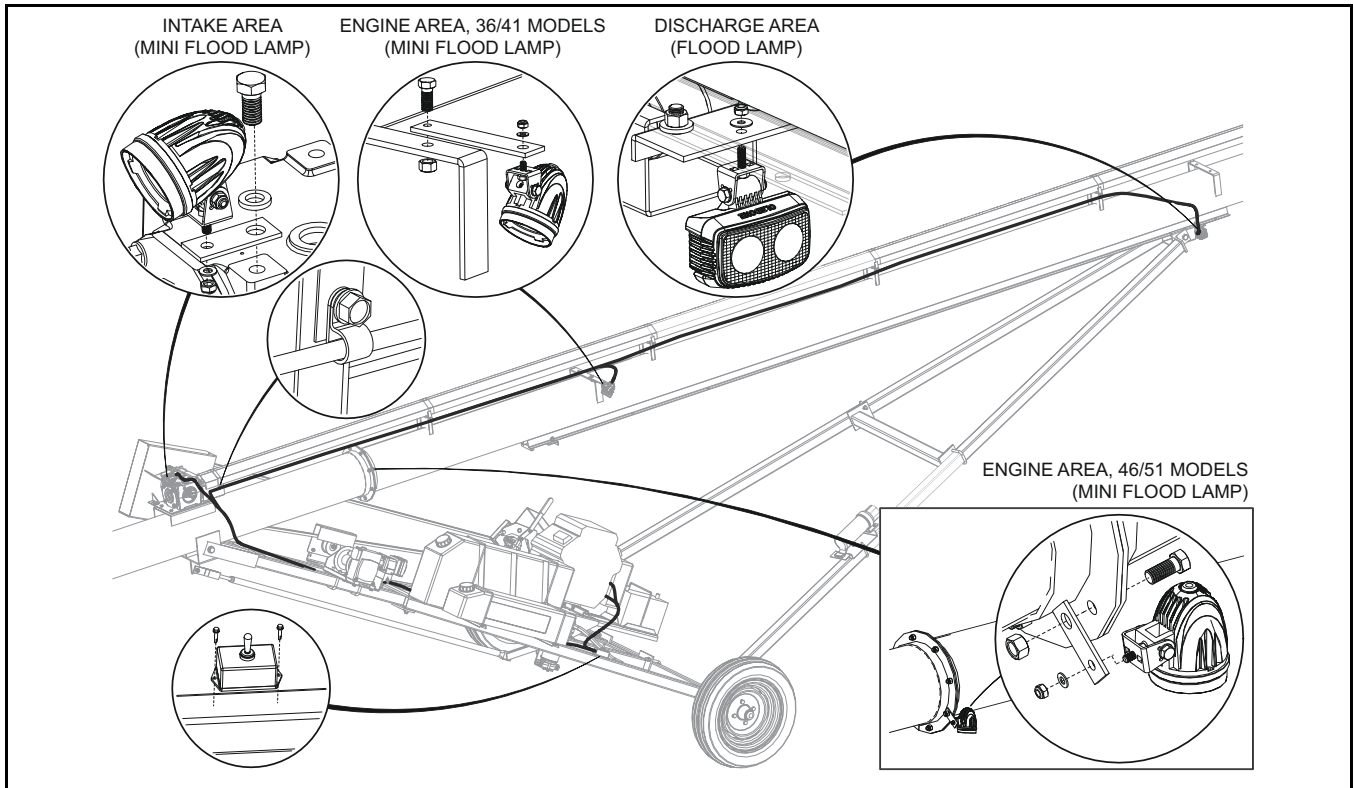


Figure 2 STX2/XTA Series

