



ELECTRIC CLUTCH KIT [A261]

(TRIPLE-GROOVE PULLEY)
FOR STX2/XTA - 100 SERIES (46/51)

INSTALLATION INSTRUCTIONS

INSTALL THE ELECTRIC CLUTCH

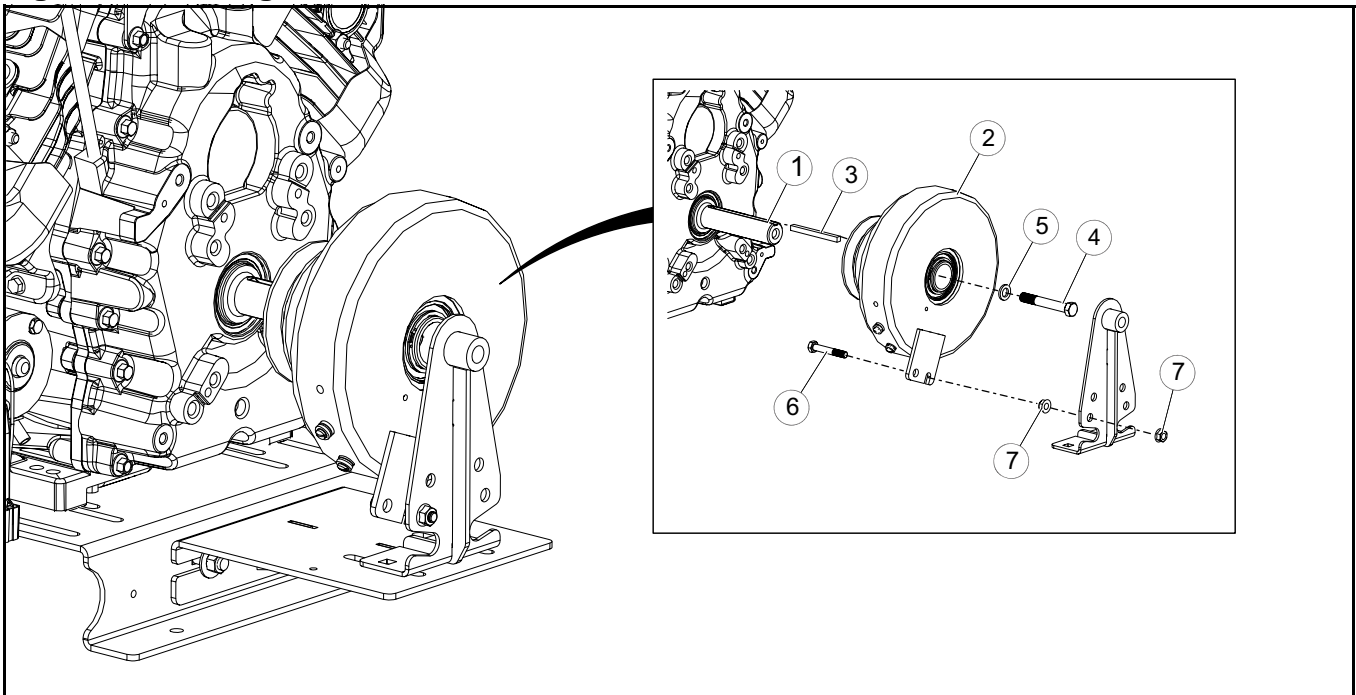
Note: Apply anti-seize to the engine shaft where the electric clutch will slide on.

1. Slide the square shaft key (3) and electric clutch onto the engine shaft.
2. Secure the electric clutch (2) to the engine shaft (1) using a 7/16" x 3" bolt (4) and lock washer (5).

Note: When properly adjusted the electric clutch should be tight and unable to slide on the shaft.

3. Connect all belts.
4. Position the 5/16" x 2" bolt (6) so that it fits into the clutch case slot to prevent the clutch from rotating, and secure it with two 5/16" whiznuts (7).

Figure 1 Installing the Electric Clutch



Westfield / Wheatheart
part of the Ag Growth International Inc. Group
P.O. Box 39, Rosenort, Manitoba, Canada R0G 1W0 Ph: (866) 467-7207 Fax: (866) 768-4852
Website: www.wheatheart.com Email: sales@wheatheart.com
© Ag Growth Industries Partnership 2016

PART NUMBER: 31044 R1
REVISED: 10/4/18

WIRE THE ELECTRIC CLUTCH

1. Remove (cut off) the clutch harness connector that includes a connection clip on one side (see Figure 2).
2. Prepare the cut end for connection by trimming harness jacket and wire insulation as needed, crimp ring terminals to the two wires on that end, and connect them to the screw terminals on the clutch (it does not matter which wire connects to which terminal).
3. Complete the remaining electrical connections, using 14 gauge crimp connectors (splice, spade, and ring terminal) as needed (see Figure 3):
 - connect the green switch cable wire to one of the clutch harness connector terminals;
 - connect the black switch cable wire to the fuse, and from there to 12 VDC power;
 - connect the remaining clutch harness connector terminal to ground.
4. Test the switch to ensure that the electric clutch engages and disengages properly.
5. Use electrical tape to seal and secure any electrical connections that might require weather-proofing.
6. Run the electrical cable through the lower frame to prevent accidental disconnection of wiring if the cable is pulled tight.
7. Secure the cable when not in use.

Figure 2 Connector with Clip



Figure 3 Electric Clutch Wiring Diagram

