



ELECTRIC CLUTCH INSTALLATION (DOUBLE-GROOVE PULLEY) FOR STX AND R-SERIES AUGERS (EXCLUDING 10-51 MODELS)

INSTALL THE ELECTRIC CLUTCH

Note: *The instructions in this manual assumes installation during assembly of a new auger. If this kit is installed after initial auger assembly, some procedure detail may differ.*

- Refer to Figure 1 for installation detail for typical engines.
- Refer to Figure 2 for installation detail for Vanguard engines.

1. Mount the hydraulic pump bracket (1) to the engine plate using two 3/8" x 1-1/4" bolts (2), lock washers (3) and flat washers (4).
➔
 - **For Vanguard engines:** Install two 1/2" lock washers (5) to create a level mount between the engine block and pump bracket. The stop bracket shares a mounting point with the pump bracket. Use the pump bracket hardware to mount the clutch stop loosely to the pump bracket.
2. Slide the square shaft key (6) and lower pump pulley (7) onto the engine shaft.
3. Slide the electric clutch (8) onto the engine shaft and secure it with a 3/8" x 3" bolt (9) or 7/16" x 3" bolt (9) (engine-model dependent) and lock washer (10).

Note: 4. *When properly adjusted the electric clutch should be tight and unable to slide on the shaft.*

5. Connect all belts.

➔ 6. **For typical engines:** Position the stop bracket (11) the pump bracket so that it fits into the clutch case slot to prevent the clutch from rotating, and secure it with a 3/8" x 1-1/4" bolt (12), lock washer (13), flat washer (14), and locknut (15).

➔ 7. **For Vanguard engines:** Adjust the stop bracket (11) the pump bracket so that it fits into the clutch case slot to prevent the clutch from rotating, and secure it by tightening the shared pump bracket bolt.

Westfield / Wheatheart
part of the Ag Growth International Inc. Group
P.O. Box 39, Rosenort, Manitoba, Canada R0G 1W0 Ph: (866) 467-7207 Fax: (866) 768-4852
Website: www.wheatheart.com Email: sales@wheatheart.com
© Ag Growth Industries Partnership 2016

Figure 1 Installing the Electric Clutch, Typical Engine

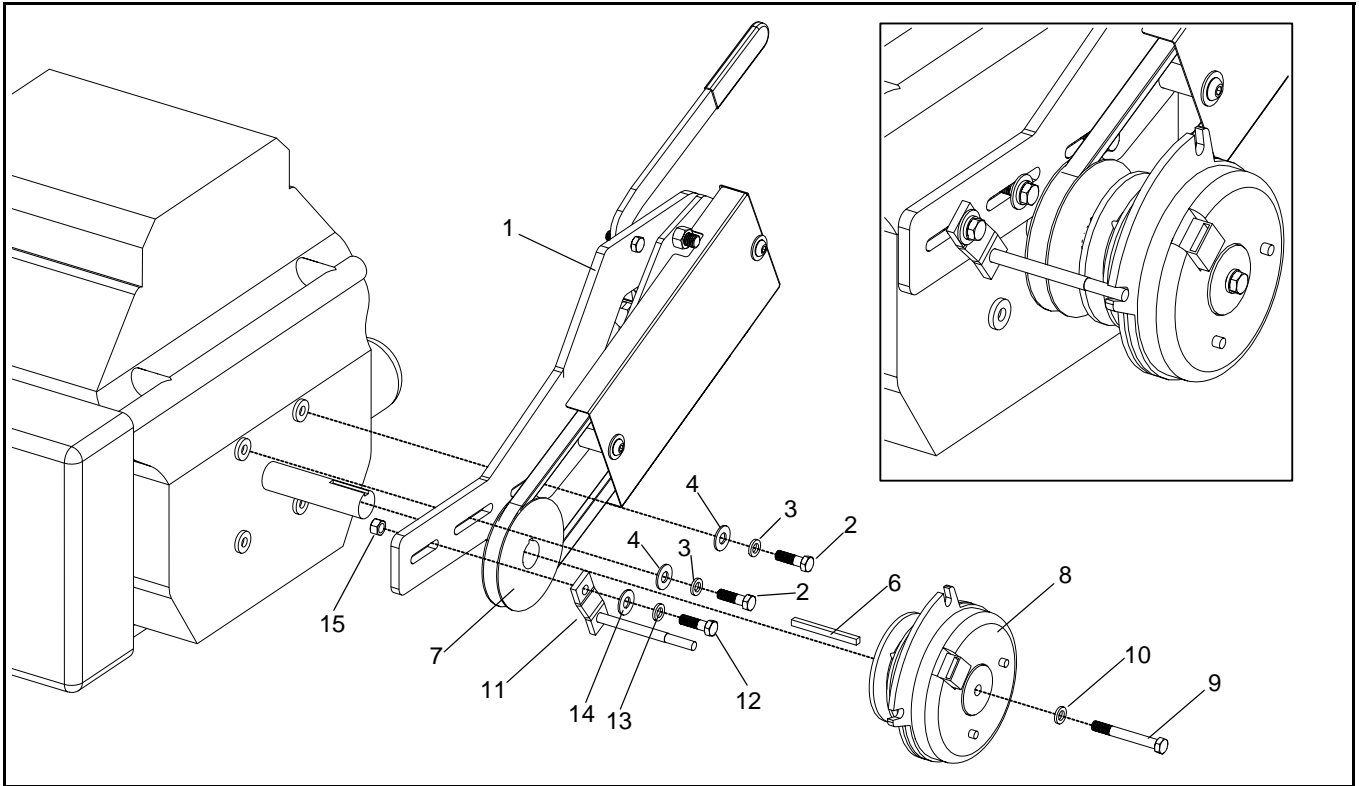
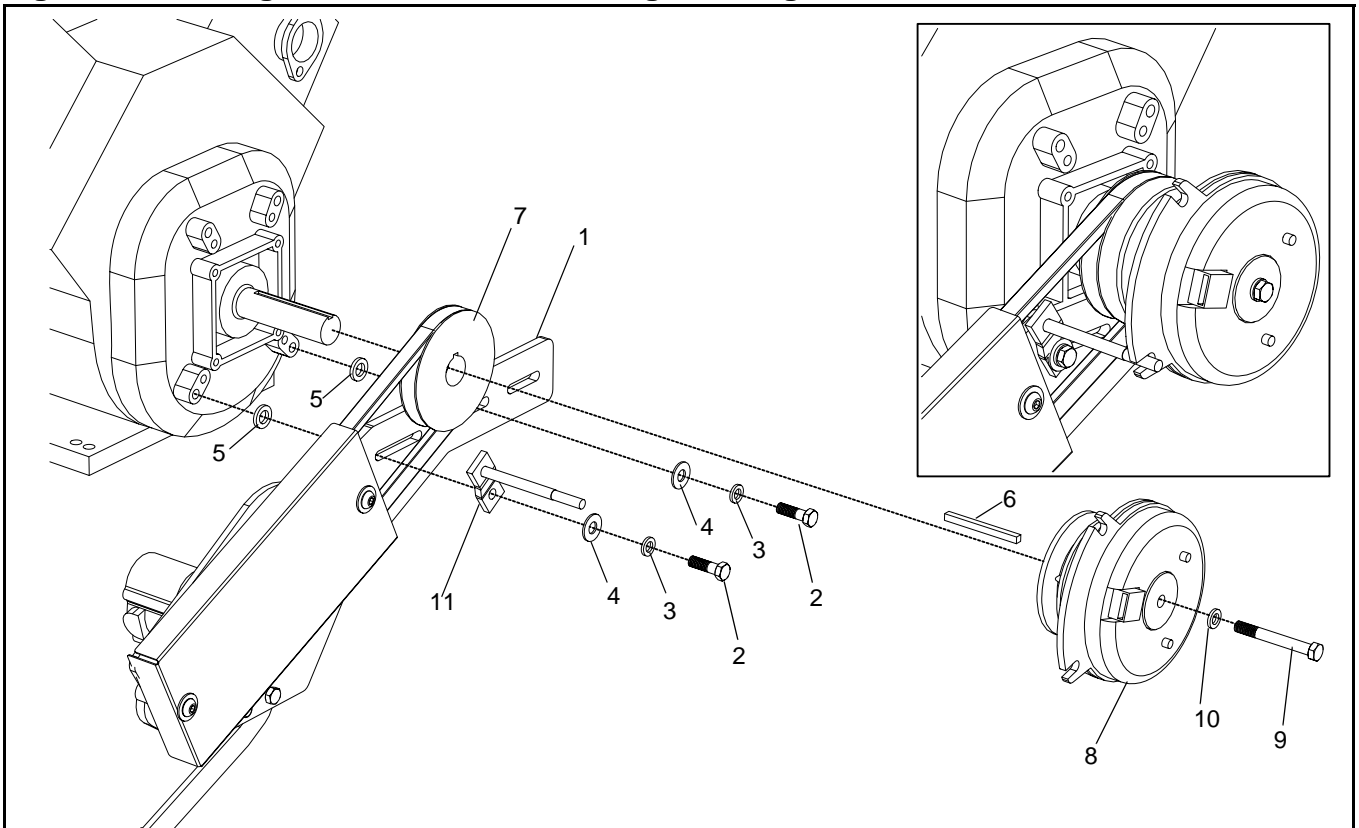


Figure 2 Installing the Electric Clutch, Vanguard Engine



WIRE THE ELECTRIC CLUTCH

1. Plug the clutch wiring harness into the clutch, and position the other end of the harness in a way that leaves it accessible for external wiring.
2. Complete the remaining electrical connections, using 14 gauge crimp connectors (splice, spade, and ring terminal) as needed (see wiring diagrams in Figure 3 and Figure 4):
 - connect the green switch cable wire to one of the clutch harness connector terminals;
 - connect the black switch cable wire to the fuse, and from there to 12 VDC power;
 - connect the remaining clutch harness connector terminal to ground.
3. Test the switch to ensure that the electric clutch engages and disengages properly.
4. Use electrical tape to seal and secure any electrical connections that might require weather-proofing.
5. Secure the electrical cable to a frame cable-ties or other equivalent fasteners to prevent accidental disconnection of wiring if the cable is pulled tight.
6. Secure the cable when not in use.

Figure 3 Switch Detail

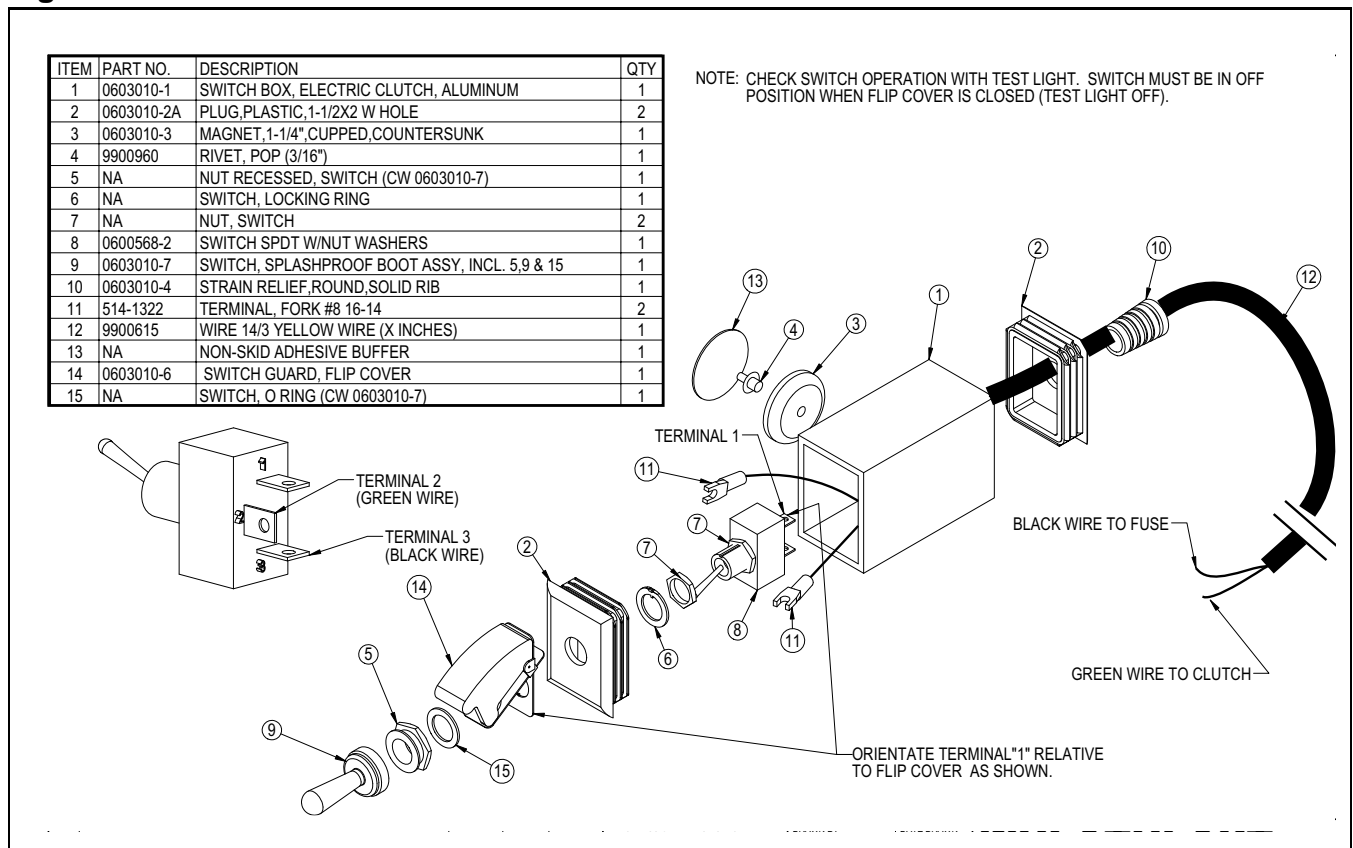


Figure 4 Electric Clutch Wiring Diagram

